

Technical data sheet

Combined protection device 3in1 for CCTV camera systems

Item no. 5081072



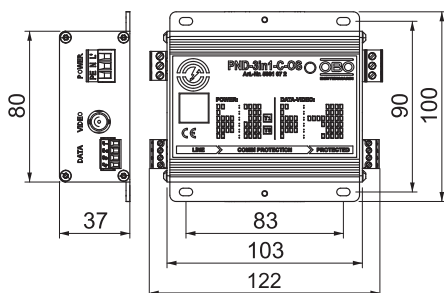
Combination protection device for coaxial TV/camera systems

- Protection of power and data interfaces in a single device
- In aluminium housing
- Simple mounting with adapter
- Two-stage protection circuit
- Three-pole power connection for the power interface
- With LED operation display (OS)
- Incl. DIN rail fastening set

Application: Protection of CCTV, video signals, cameras and/or TV systems



Dimensions



Length	122,50 mm
Width	100,00 mm
Height	37,10 mm

Master data

Item no.	5081072
Type	PND-3in1-C-OS
Description 1	Combined prot. device 3in1
Description 2	for analogue CCTV applications
Dimension	230V
Smallest sales unit (VG)	1,00 Piece
Weight	29,90 kg/100 pc.

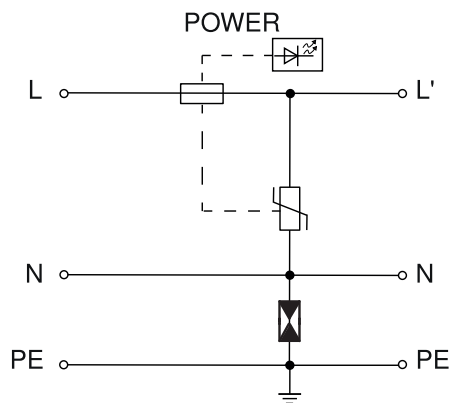
Technical data sheet

Combined protection device 3in1 for CCTV camera systems

Item no. 5081072



Technical data



Temperature range	-20+80 °C
Installation type	Installation
Protection rating	IP20
Earthing via:	Connection cable / DIN rail
Lightning protection zone LPZ	1→3
SPD to IEC 61643-11	Class II+III
SPD to EN 61643-11	Type 2+3
Maximum continuous voltage (L-N)	255,00 V
Rated current	16,00 A
Protection level	<1,3 kV
Idle voltage	10,00 kV
Nominal discharge current (8/20 µs)	5,00 kA
Maximum discharge current (8/20 µs)	10,00 kA

Network

Data

Maximum continuous voltage AC	5,65 V
Maximum continuous voltage DC	8,00 V
SPD to IEC 61643-21	Class I+II / D1+C2
Category	Type 1+2 / D1+C2
Impulse durability wire-wire	C2: 10 kV / 5 kA (8/20µs)
Impulse durability wire-earth	C2: 10 kV / 5 kA (8/20µs)
Impulse current (10/350)	1,00 kA
Protection level wire-earth	<450 V
Protection level wire-wire	<65 V
Frequency range	0-100 MHz
Frequency range	0,00 - 100,00 MHz
Cut-off frequency	100,00 MHz
Screen connection	Yes
Screening	Direct
Testing standard	IEC 61643-21

Video

Maximum continuous voltage AC	5,65 V
Maximum continuous voltage DC	8,00 V
SPD to IEC 61643-21	Class I+II / D1+C2
Category	Type 1+2 / D1+C2
Impulse durability wire-earth	C2: 10 kV / 5 kA (8/20µs)
Impulse durability wire-wire	C2: 10 kV / 5 kA (8/20µs)
Impulse current (10/350)	1,00 kA
Protection level wire-wire	<90 V
Protection level wire-earth	<150 V
Frequency range	0-100 MHz
Frequency range	0,00 - 100,00 MHz
Cut-off frequency	100,00 MHz
Screen connection	Yes
Screening	Direct
Testing standard	IEC 61643-21

Network