

Technical data sheet

Protective spark gap

Item no. 5240050



Closed spark gap for bridging a proximity point between roof standard of low-voltage system and components of outer lightning protection system

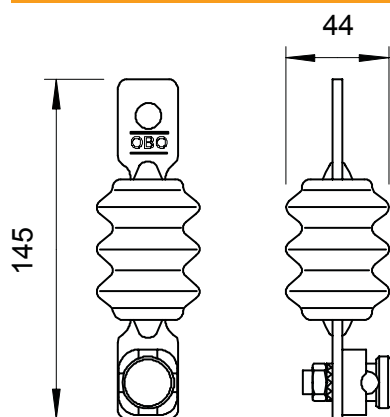
- Protection rating IP 54
- With pre-mounted type 5001 connector for attaching round conductors Rd 8 - 10



Master data

Item no.	5240050
Type	482
Description 1	Spark gap
Description 2	closed
Dimension	134x93x86
Smallest sales unit (VG)	1,00 Piece
Weight	56,00 kg/100 pc.

Technical data



Connection	Rd 10 mm
Power frequency spark-over voltage	10,00 kV
Response time	< 100 ns
Explosion-tested version	<input type="checkbox"/>
Nominal discharge current (8/20)	25 kA
Protection rating	IP54
Protection level	< 10 kV
Temperature range	-20-+80 °C
Material of the connection	Die-cast zinc

Technical data sheet

Protective spark gap

Item no. 5240050



Technical data

