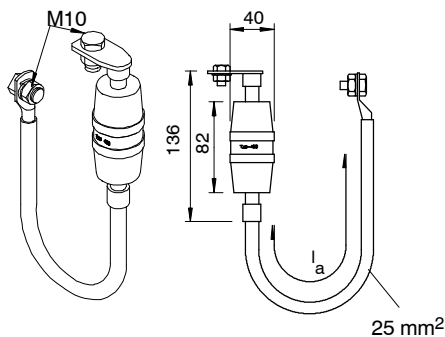
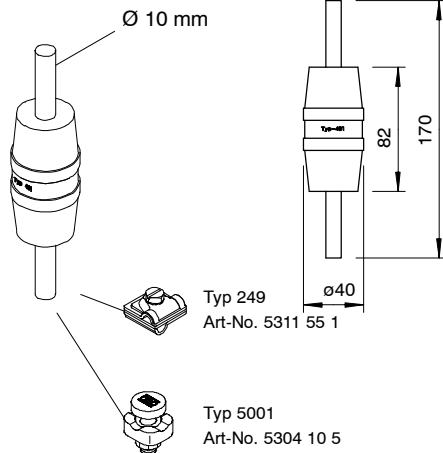


Typ/ Modelo/ Type 480



Typ/ Modelo/ Type 481



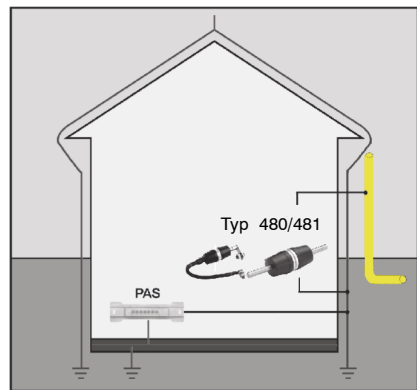
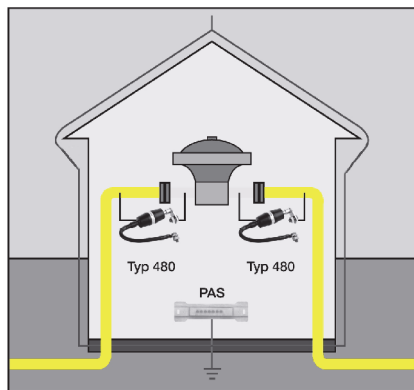
II 2G Ex d IIC T6 Gb
BVS 04 ATEX E 054



DNV 12.0182 x
Ex d IIC T6 Gb

Anwendung / Aplicação / Application Typ/ Modelo/ Type 480

Typ/ Modelo/ Type 480 / 481



Type	D Ø mm	Order-No. FT
① 484	13 (M12)	5240 22 0
484	17 (M16)	5240 23 9
484	21 (M20)	5240 24 7
484	25 (M24)	5240 25 5
② 485	11 (M10)	5240 30 1
485	13 (M12)	5240 32 8
485	17 (M16)	5240 33 6
485	21 (M20)	5240 34 4
485	25 (M24)	5240 35 2

Technical Data / Dados Técnicos / Technische Daten

Typ / Modelo / Type	480/180	480/250	480/350
l _a	180 mm	250 mm	350 mm
U _A AC	1,0 kV (±50%)		
U _A (1.2/50)	3,0 kV (±50%)		
I _{imp} (10/350)	100 kA		
U _{r imp}	5 kV		
U _W AC	500 V		
U _W DC	700 V		
R _{isol}	≥ 100 MΩ		
class / Classe / Klasse nach IEC / EN 62561-3 (2012)	H		
v	-20°C ≤ Ta ≤ +50°C		
Order-No. / Código	5240 03 4	5240 07 7	5240 06 9

Typ / Modelo / Type	481
I _{imp} (10/350)	50 kA
I _n (8/20)	100 kA
R _{isol}	> 100 MΩ
U _A AC	2,5 kV
U _A (1.2/50)	5,0 kV
v	-20°C ≤ Ta ≤ +50°C
Order-No. / Código	5240 08 5

Installation, maintenance/Instalação manutenção/Montage, Wartung

- The Parex-isolation spark gap must be protected against mechanical damage.
- Este centelhador (Parex) deve estar protegido contra danos mecânicos.
- Die Parex-Trennfunkenstrecken sollen gegen mechanische Beschädigungen geschützt werden.

- Parex-isolation spark is maintenance-free when operated under the conditions described in this manual.
- Este centelhador (Parex) não necessita de manutenção quando operado sob as condições descritas neste manual.
- Die Parex-Trennfunkenstrecken sind wartungsfrei, wenn der Einsatz laut der Bedingungen dieser Montageanleitung erfolgt.

Standards / Normas / Normen

IEC 60079-0 : 2007-10 ABNT NBR IEC 60079-0:2008
IEC 60079-1 : 2007-04 ABNT NBR IEC 60079-1:2009

Certifications/Certificação/Zertifikate

DNV 12.0182 X
IECEx BVS 12.0028X
BVS 04 ATEX E 054

Head Office OBO BETTERMANN GmbH & Co. KG
Postfach 1120 · 58694 Menden, Germany
Hütinger Ring 52 · D-58710 Menden
Tel. +49 (0)2373-89-0 Fax +49 (0)2373-89-238
E-Mail: info@obo.de · www.obo-bettermann.com

Technical Hotline
Telefon +49 (0)2373/89-1500
Telefax +49 (0)2373/89-1550
E-Mail hotline@obo.de

