

Technical data sheet

EX ISG H spark gap

Item no. 5240030



- Spark gap to VDE 0185-561-3 (IEC 62561-3)
- Ex certificate to ATEX
- Labelling to EN 60079-0/-1: II 2 G Ex db IIC T6 Gb
- Labelling to EN 60079-0/-31: II 2 D Ex td IIIC T80 °C Db IP67
- Ex certificate to IECEx
- Labelling to IEC 60079-0/-1: Ex db IIC T6 Gb
- Labelling to IEC 60079-0/-31: Ex td IIIC T80 °C Db IP67
- Ex certificate to INMETRO
- Labelling to ABNT NBR IEC 60079-0/-1: Ex db IIC T6 Gb
- Labelling to ABNT NBR IEC 60079-31: Ex td IIIC T80 °C Db IP67

Application: In potentially explosive areas zone 1/21 and 2/22, indirect bridging of insulating flanges and insulating glands, e.g. in cathodic, corrosion-protected (KKS) systems.

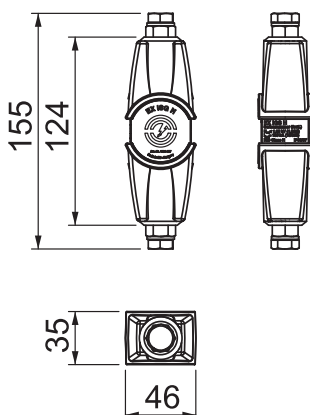


Hot melt

Master data

Item no.	5240030
Type	EX ISG H
Description 1	Spark gap
Description 2	indirect equipotential bonding
Dimension	16x4,5x3,5
Colour	Black
Material	Hot melt
Smallest sales unit (VG)	1,00 Piece
Weight	41,36 kg/100 pc.

Technical data



Connection	Metric
Connecting cable length	0,00 m
Power frequency spark-over voltage	0,56 kV
Rated power frequency withstand voltage	250,00 V
Rated DC withstand voltage	354,00 V
Rated impulse sparkover voltage	1,25 kV
Lightning current carrying capacity	H/100 kA
Explosion-tested version	<input checked="" type="checkbox"/>
Impulse discharge current (10/350)	100,00 kA
Nominal discharge current (8/20)	100 kA
Protection rating	IP65/67
Temperature range	-20-+60 °C
Ignition protection type	Pressure-resistant encapsulation
Material of the connection	Die-cast zinc

Technical data sheet

EX ISG H spark gap

Item no. 5240030



Technical data

