

# Technical data sheet

## Surge protection device CNS 3 D

Item no. 5092701



Surge protection device, type 3, to DIN EN 61643-11, intended for use in protective contact sockets.

- With visual and audible signalling, function display
- 3-way socket
- Length of connection cable: 2 m
- Y circuit for high electrical safety

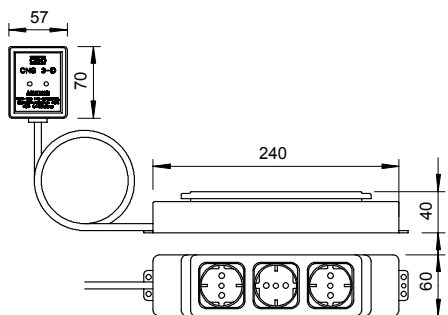
Application: For example, the protection of PCs, printers, copiers, fax machines, etc.



### Master data

Item no.	5092701
Type	CNS 3-D-D
Description 1	Surge protective device
Description 2	Germany version
Dimension	230V
Colour	Black
Smallest sales unit (VG)	1,00 Piece
Weight	65,00 kg/100 pc.

### Technical data



SPD to EN 61643-11	Type 3
SPD to IEC 61643-11	Class III
Connecting cable length	2,00 m
Response time	<25 ns
Blow-out	<input type="checkbox"/>
Telecommunications contact	<input type="checkbox"/>
Max. continuous operating voltage	255,00 V
Country-specific version	EN
Lightning protection zone LPZ	2→3
Nominal discharge current (8/20)	2.5 kA
Rated current	16,00 A
Nominal voltage	230,00 V
Installation type	Socket bar

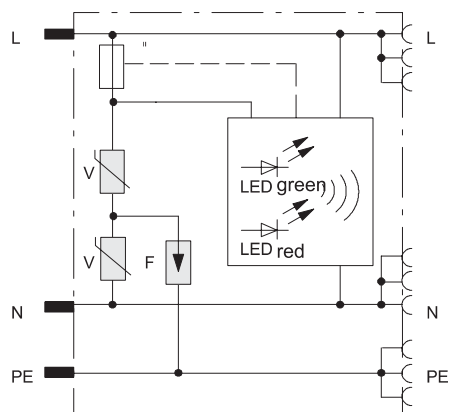
# Technical data sheet

## Surge protection device CNS 3 D

Item no. 5092701



### Technical data



Maximum discharge current (8/20 $\mu$ s)	7,00 kA
Maximum back-up fuse	16,00 A
Protection level	1000/ 1500 kV
Protection level (N-PE)	< 1,5 kV
Protection level (L-N)	< 1,0 kV
Protection level (L-N / L/N-PE)	< 1000 / < 1500 V
Signalling on device	Optical and acoustic