

Technical data sheet

FineController FC-D for protective contact socket

Item no. 5092800

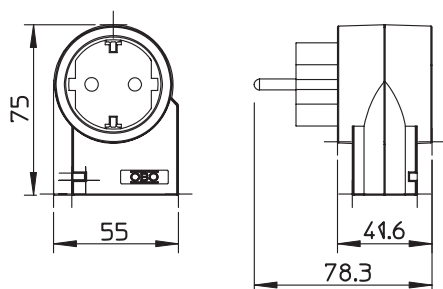


Type 3 surge protection device to EN 61643-11, intended for use in protective contact sockets.

- Adapter connector
- Cut-off unit and function display
- With increased touch protection



Dimensions



Length	78,30 mm
Width	55,00 mm
Height	75,00 mm

Master data

Item no.	5092800
Type	FC-D
Description 1	FineController
Dimension	230V
Colour	Pure white
RAL number	9010
Smallest sales unit (VG)	1,00 Piece
Weight	11,00 kg/100 pc.

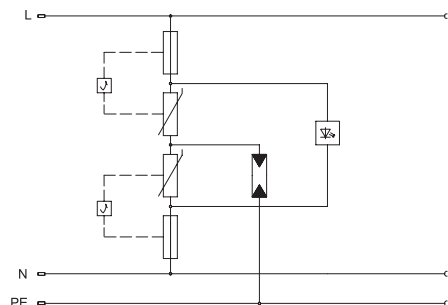
Technical data sheet

FineController FC-D for protective contact socket

Item no. 5092800



Technical data



SPD to EN 61643-11	Type 3
SPD to IEC 61643-11	Class III
Test class, type 2	<input type="checkbox"/>
Test class, type 3	<input checked="" type="checkbox"/>
Nominal voltage AC (50/60 Hz)	230,00 V
Nominal voltage	230,00 V
Maximum continuous voltage AC	275,00 V
Max. continuous operating voltage	275,00 V
Nominal discharge current (8/20 µs)	3,00 kA
Nominal discharge current (8/20)	3 kA
Rated current	16,00 A
Maximum discharge current (8/20 µs)	8,00 kA
Protection level	1,50 kV
Protection level	<1,5 kV
Protection level [L-N]	1,20 kV
Protection level (L-N)	< 1,2 kV
Protection level [N-PE]	1,50 kV
Protection level (N-PE)	< 1,5 kV
Response time	<25 ns
Max. mains-side overcurrent protection	16 A
Maximum back-up fuse	16,00 A
Operating temperature range	-25-+75 °C
Temperature range	-25°C-+75°C °C
Version	Schuko
Mounting type	Wall socket
Installation type	Adapter
Protection rating	IP20
Protection rating	IP 20
Blow-out	<input type="checkbox"/>
Remote signalling	<input type="checkbox"/>
Telecommunications contact	<input type="checkbox"/>
Integrated back-up fuse	<input type="checkbox"/>
Signalling on device	Visual